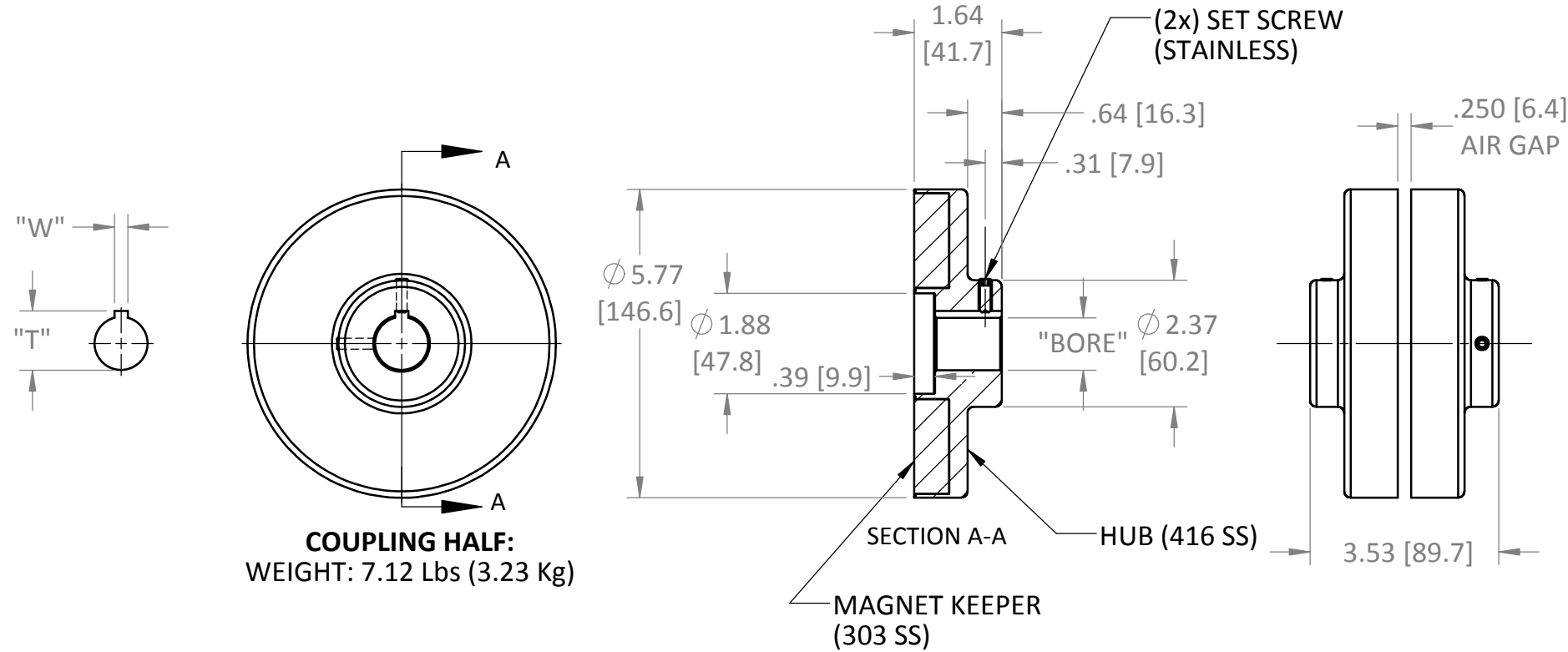
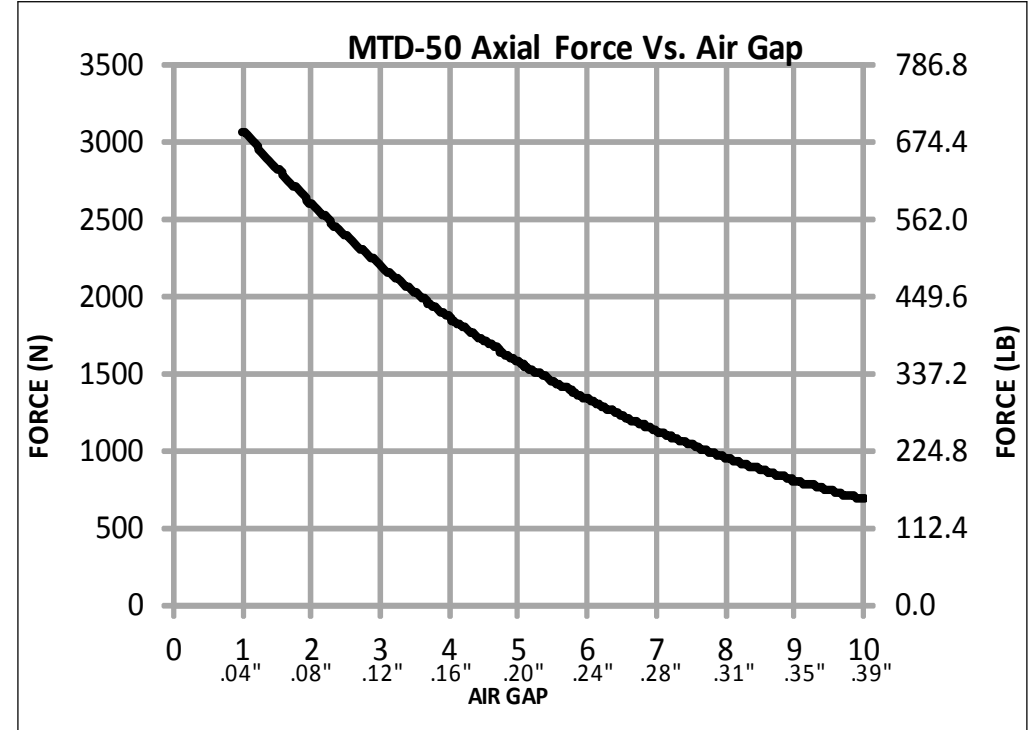
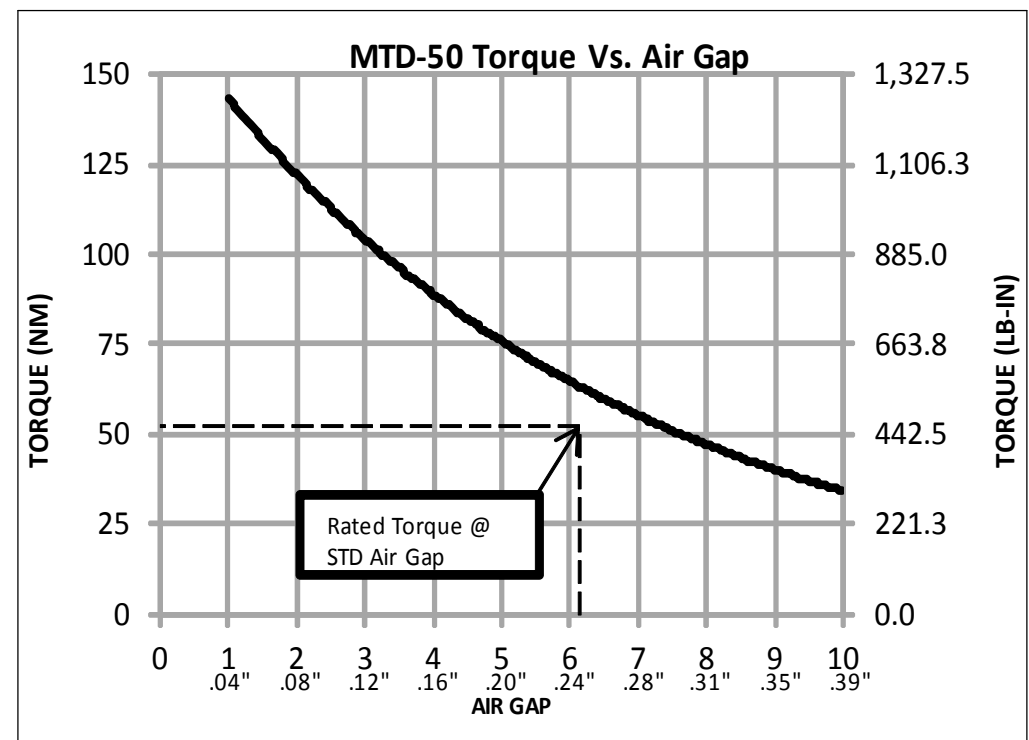


MODEL	RATED TORQUE @ STD. AIR GAP		BREAKAWAY TORQUE		MAX RPM
MTD-50	53.1 Nm	470 Lb-in	61.0 Nm	540 Lb-in	7,800

REVISIONS			
REV.	ECN.	DESCRIPTION	DATE



**COUPLING HALF:**  
WEIGHT: 7.12 Lbs (3.23 Kg)



MODEL	BORE		W		T		SET SCREW (2x)
	mm <sup>H8</sup>	in <sup>+0.001</sup>	mm <sup>+0.05</sup>	in <sup>+0.002</sup>	mm <sup>+0.25</sup>	in <sup>+0.010</sup>	CUP POINT
* MTD-50-0000	SOLID		-		-		-
MTD-50-0669	17.00	.6693	5.00	.197	19.30	.760	M5-0.8 x 16mm
MTD-50-0750	19.05	.750	4.76	.1875	21.26	.837	10-32 x 1/2
MTD-50-1000	25.40	1.000	6.35	.250	28.30	1.114	1/4-20 x 1/2
MTD-50-1250	31.75	1.250	6.35	.250	34.72	1.367	1/4-20 x 3/8
MTD-50-1496	38.00	1.4961	10.00	.3937	41.30	1.626	M8-1.25 x 8mm

OTHER SIZES AVAILABLE; SPECIFY BOTH BORE AND KEYWAY

**\* ONLY MTD-50-0000 FROM STOCK**

THIS DRAWING IS THE PROPERTY OF MAGNETIC TECHNOLOGIES LTD. AND IS SUPPLIED ON THE EXPRESS CONDITION THAT IT SHALL NOT BE LENT, COPIED, REPRODUCED NO DISCLOSED TO ANY OTHER PERSON, IN WHOLE OR IN PART WITHOUT THE WRITTEN CONSENT OF MAGNETIC TECHNOLOGIES LTD.

USED ON MTD-50	SCALE 1:3	MATERIAL SEE PRT DWG	<p>43 TOWN FOREST ROAD OXFORD, MA 01540</p>
UNLESS OTHERWISE SPECIFIED:		FINISH SEE PRT DWG	
ALL DIMENSIONS ARE IN INCHES TOLERANCES: DECIMAL: .XX ± .01 .XXX ± .005 ANGULAR: ± 1° GEN. CONCENTRICITY: .001 T.I.R. MACH. FILLETS: .010 R MACH. EDGES: .015 R OR CHMF. UNSPECIFIED RADII: .015 R IN MICROINCHES RMS 32 GEOMETRIC: TO MIL-ST'D. 8 REMOVE ALL BURRS & SHARP EDGES			DRAWN AMD 11/11/14 CHECKED DESCRIPTION <b>MTD-50 Cut Sheet</b> DWG. NO. _____ REV. _____ <b>MTD-50-XXX</b>
SIZE: B			