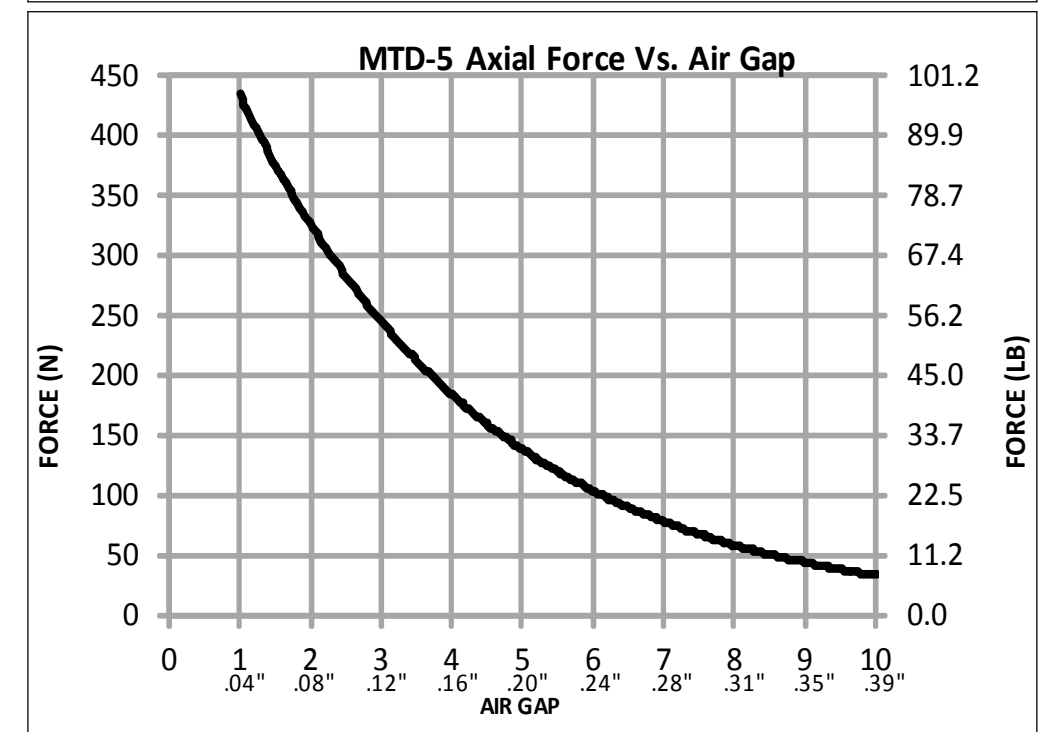
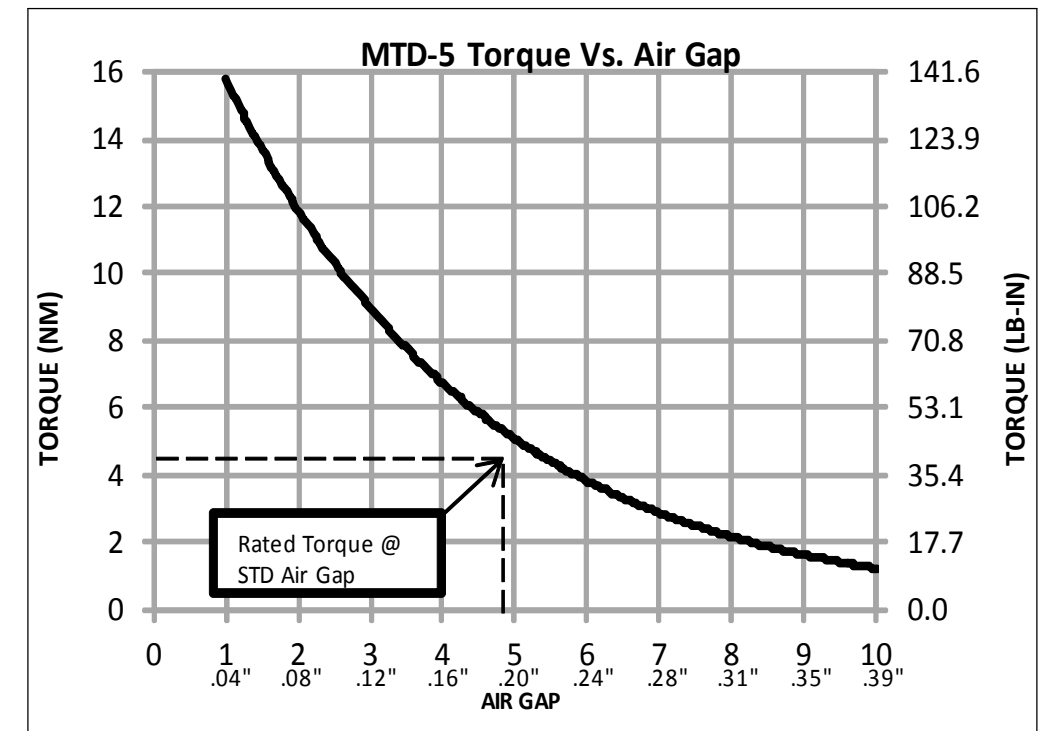
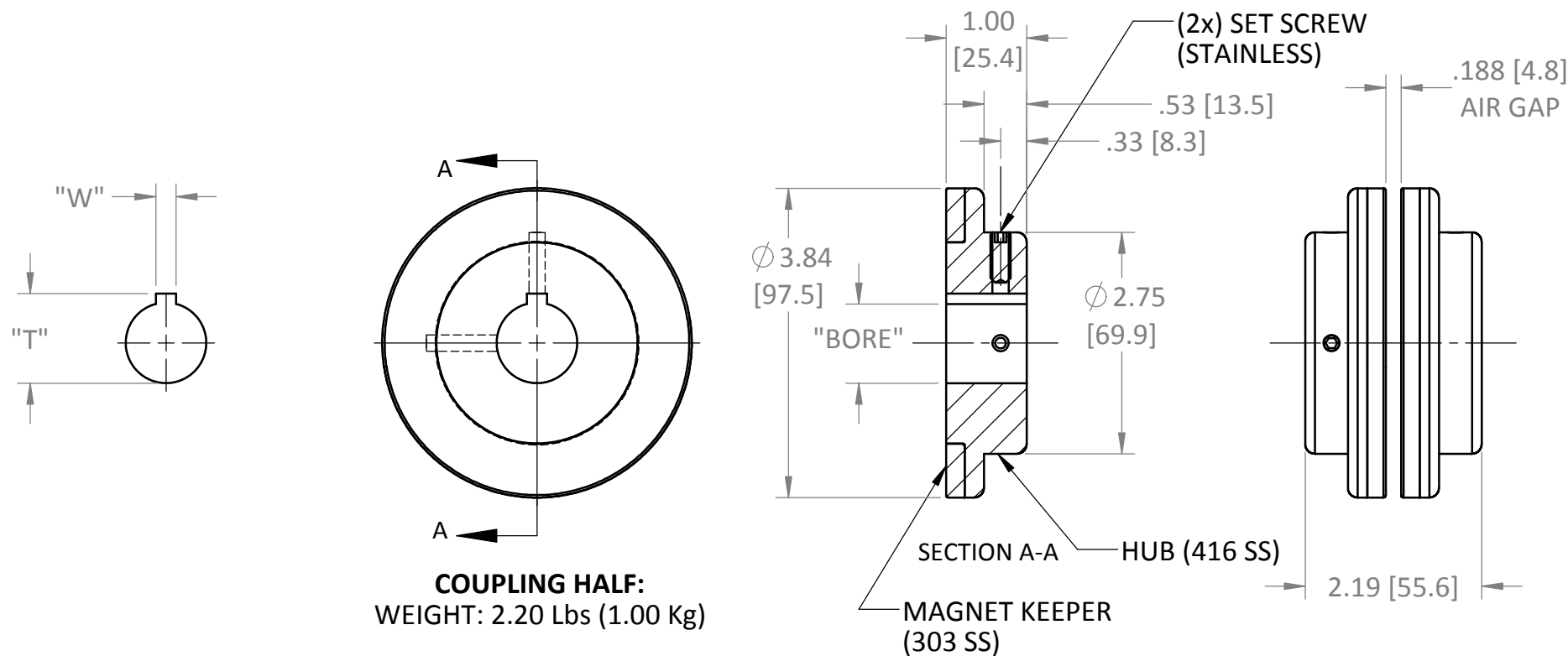


MODEL	RATED TORQUE @ STD. AIR GAP		BREAKAWAY TORQUE		MAX RPM
MTD-5	4.5 Nm	40 Lb-in	5.0 Nm	44 Lb-in	11,700

REVISIONS			
REV.	ECN.	DESCRIPTION	DATE



MODEL	BORE		W		T		SET SCREW (2x) CUP POINT
	mm ^{H8}	in ^{+.001}	mm ^{+.05}	in ^{+.002}	mm ^{+.25}	in ^{+.010}	
MTD-5-0000	SOLID		-		-		-
MTD-5-0433	11.00	.433	4.00	.158	12.80	.504	M5-0.8 X 20mm
MTD-5-0500	12.70	.500	3.175	.1250	14.22	.560	#10-32 X 3/4
MTD-5-0551	14.00	.551	5.000	.1969	16.30	.642	M5-0.8 X 20mm
MTD-5-0625	15.88	.625	4.763	.1875	18.01	.709	#10-32 X 3/4
MTD-5-0748	19.00	.748	6.000	.2362	21.80	.858	M5-0.8 X 20mm
MTD-5-0750	19.05	.750	4.763	.1875	21.26	.837	#10-32 X 3/4
MTD-5-0875	22.23	.875	4.763	.1875	24.49	.964	#10-32 X 3/4
MTD-5-0945	24.00	.945	8.000	.3150	27.30	1.075	M8-1.25 X 20mm
MTD-5-01000	25.40	1.000	6.350	.2500	28.30	1.114	1/4-20 X 5/8
MTD-5-01102	28.00	1.102	8.000	.3150	31.30	1.232	M8-1.25 X 20mm
MTD-2-01125	28.58	1.125	6.350	.2500	31.52	1.241	1/4-20 X 5/8

OTHER SIZES AVAILABLE; SPECIFY BOTH BORE AND KEYWAY

USED ON MTD-5	SCALE 1:2	MATERIAL SEE PRT DWG	
UNLESS OTHERWISE SPECIFIED:		FINISH SEE PRT DWG	
<small>ALL DIMENSIONS ARE IN INCHES TOLERANCES: DECIMAL: .XX ± .01 .XXX ± .005 ANGULAR: ± 1° GEN. CONCENTRICITY: .001 T.I.R. MACH. FILLETS: .010 R MACH. EDGES: .015 R OR CHMF. UNSPECIFIED RADII: .015 R IN MICROINCHES RMS 32 GEOMETRIC: TO MIL-ST'D. 8 REMOVE ALL BURRS & SHARP EDGES</small>			43 TOWN FOREST ROAD OXFORD, MA 01540 DESCRIPTION MTD-5 Cut Sheet DWG. NO. _____ REV. _____
SIZE: B		MTD-5-XXX	