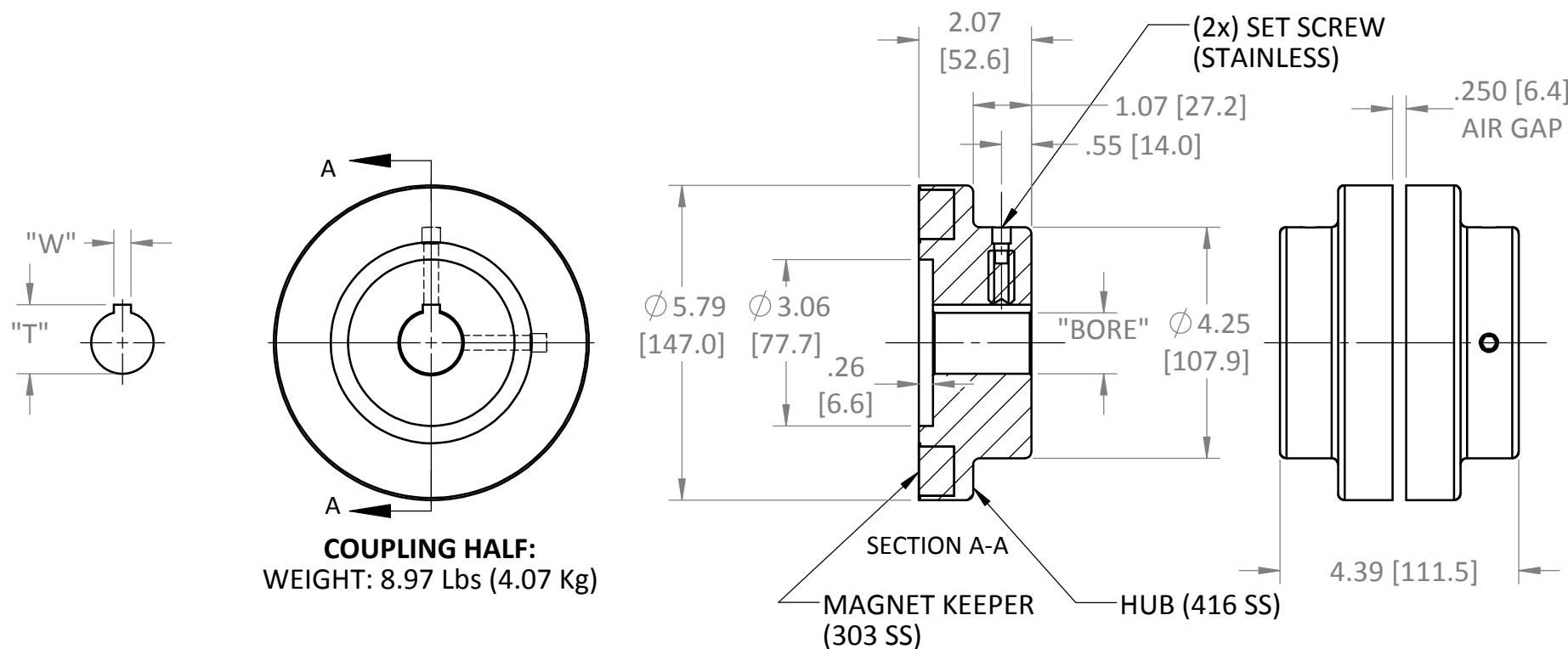
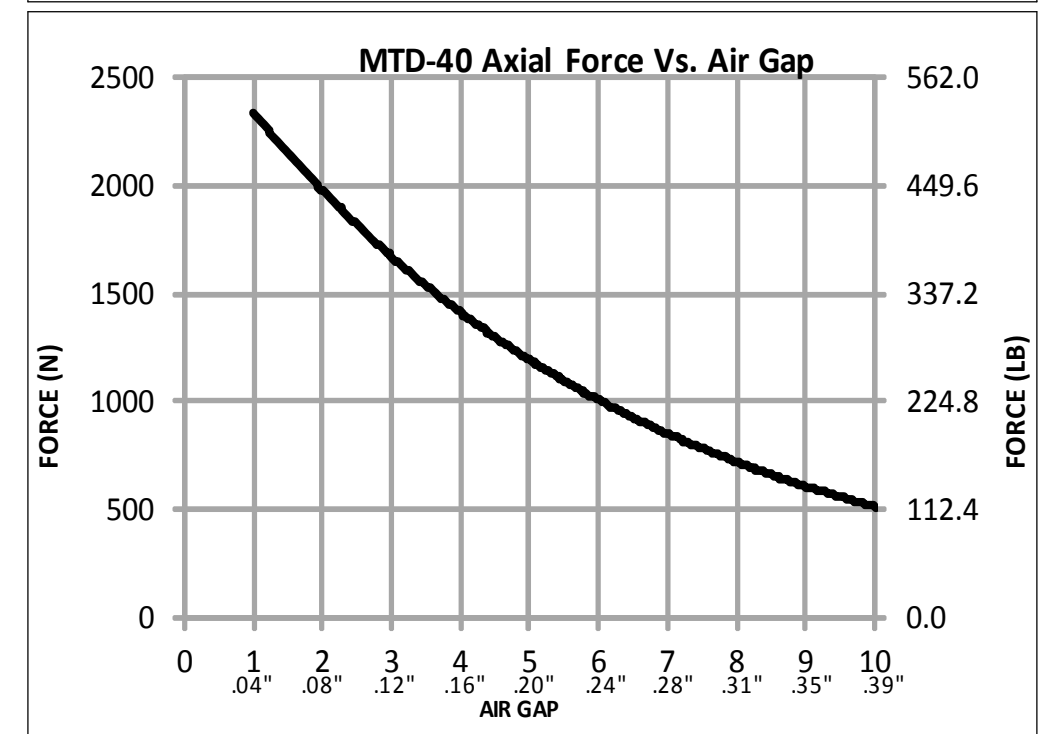
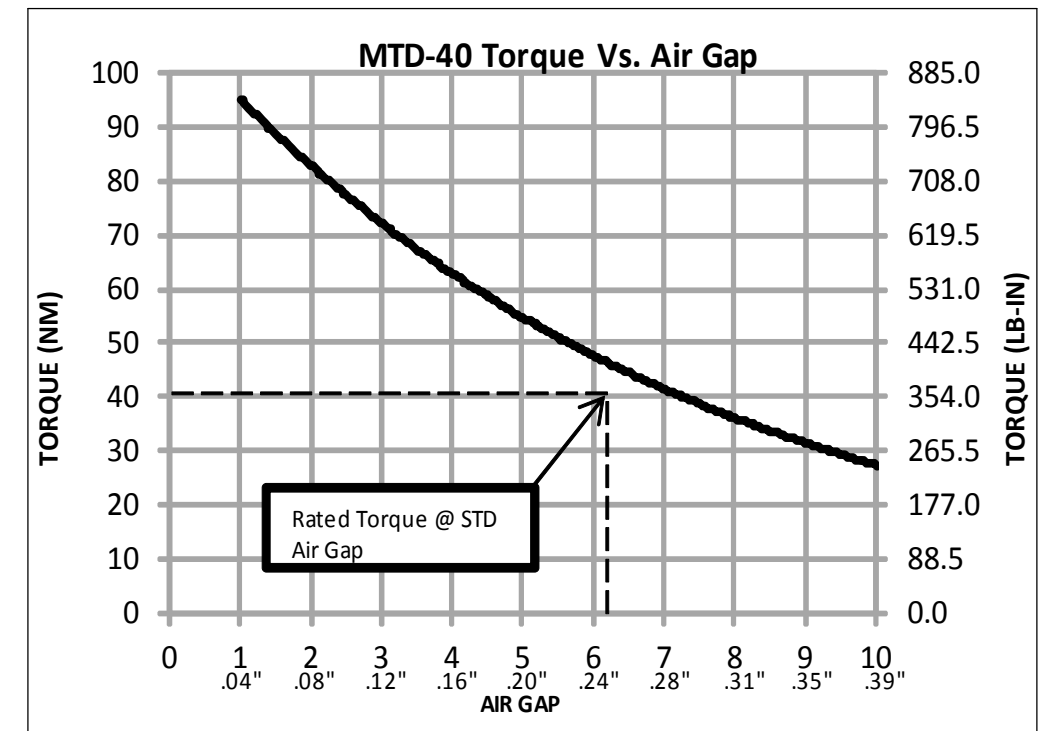


MODEL	RATED TORQUE @ STD. AIR GAP		BREAKAWAY TORQUE		MAX RPM
MTD-40	40.7 Nm	360 Lb-in	45.2 Nm	400 Lb-in	7,800

REVISIONS			
REV.	ECN.	DESCRIPTION	DATE



COUPLING HALF:
WEIGHT: 8.97 Lbs (4.07 Kg)



MODEL	BORE		W		T		SET SCREW, COUNTERBORE (2x) CUP POINT
	mm ^{H8}	in ^{+0.001}	mm ^{+0.05}	in ^{+0.002}	mm ^{+0.25}	in ^{+0.010}	
* MTD-40-0000	SOLID		-		-		-
MTD-40-1000	25.40	1.000	6.35	.250	28.30	1.114	1/4-20, ϕ 5/16 X .50 ∇
MTD-40-1142	29.00	1.1417	8.00	.315	32.30	1.272	M8-1.25, ϕ .34 X .30 ∇
MTD-40-1496	38.00	1.4963	10.00	.3937	41.30	1.626	M10-1.50, ϕ .42 X .30 ∇
MTD-40-1575	40.00	1.5750	12.00	.4724	43.30	1.705	M12-1.75, ϕ .50 X .30 ∇
MTD-40-2165	50.00	2.1656	16.00	.6299	59.30	2.335	M12-1.75
MTD-40-2188	55.56	2.1875 ^{+0.0015}	12.70	.500	61.30	2.414	3/8-16

OTHER SIZES AVAILABLE; SPECIFY BOTH BORE AND KEYWAY

*** ONLY MTD-40-0000 FROM STOCK**

THIS DRAWING IS THE PROPERTY OF MAGNETIC TECHNOLOGIES LTD. AND IS SUPPLIED ON THE EXPRESS CONDITION THAT IT SHALL NOT BE LENT, COPIED, REPRODUCED NO DISCLOSED TO ANY OTHER PERSON, IN WHOLE OR IN PART WITHOUT THE WRITTEN CONSENT OF MAGNETIC TECHNOLOGIES LTD.

USED ON MTD-40	SCALE 1:2	MATERIAL SEE PRT DWG	MAGNETIC TECHNOLOGIES LTD. 43 TOWN FOREST ROAD OXFORD, MA 01540
UNLESS OTHERWISE SPECIFIED: ALL DIMENSIONS ARE IN INCHES TOLERANCES: DECIMAL: .XX ± .01 .XXX ± .005 ANGULAR: ± 1° GEN. CONCENTRICITY: .001 T.I.R. MACH. FILLETS: .010 R MACH. EDGES: .015 R OR CHMF. UNSPECIFIED RADII: .015 R IN MICROINCHES RMS 32 GEOMETRIC: TO MIL-ST'D. 8 REMOVE ALL BURRS & SHARP EDGES		FINISH SEE PRT DWG	
DRAWN AMD 11/11/14		CHECKED	DESCRIPTION MTD-40 Cut Sheet
SIZE: B		DWG. NO.	REV.
		MTD-40-XXX	