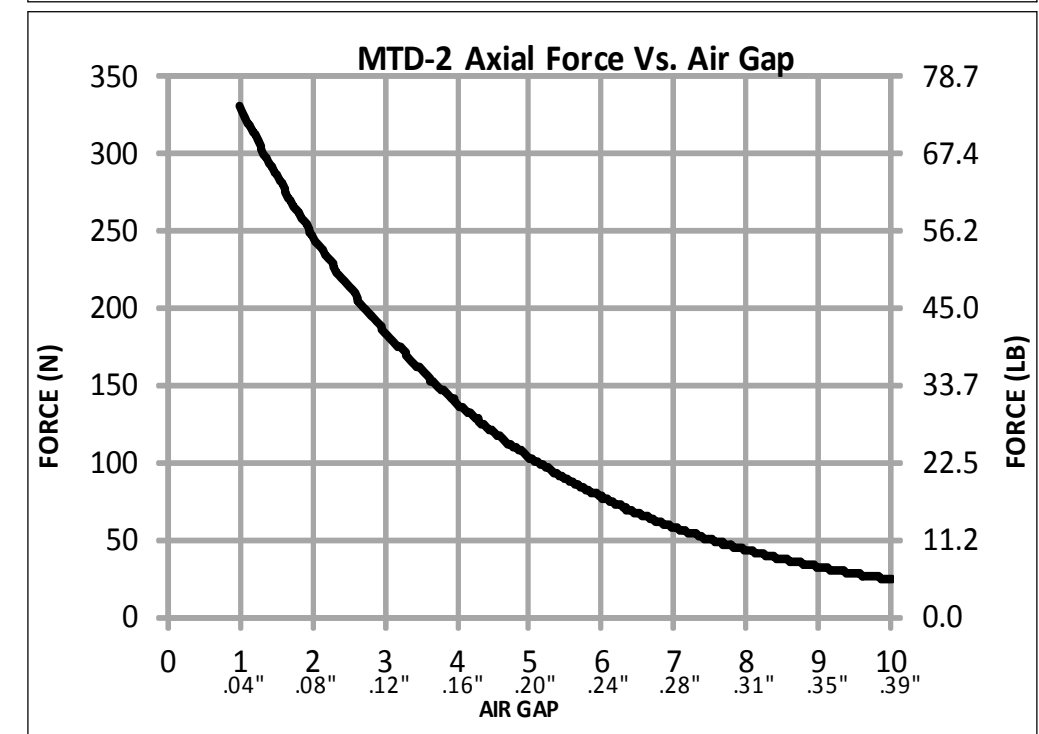
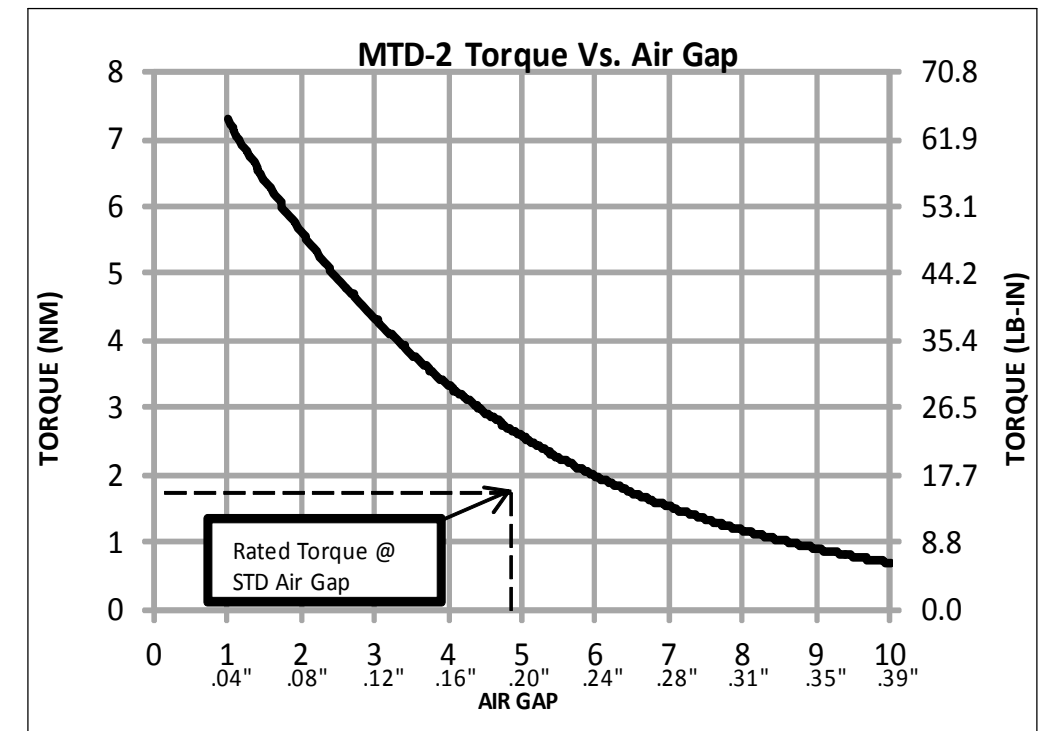
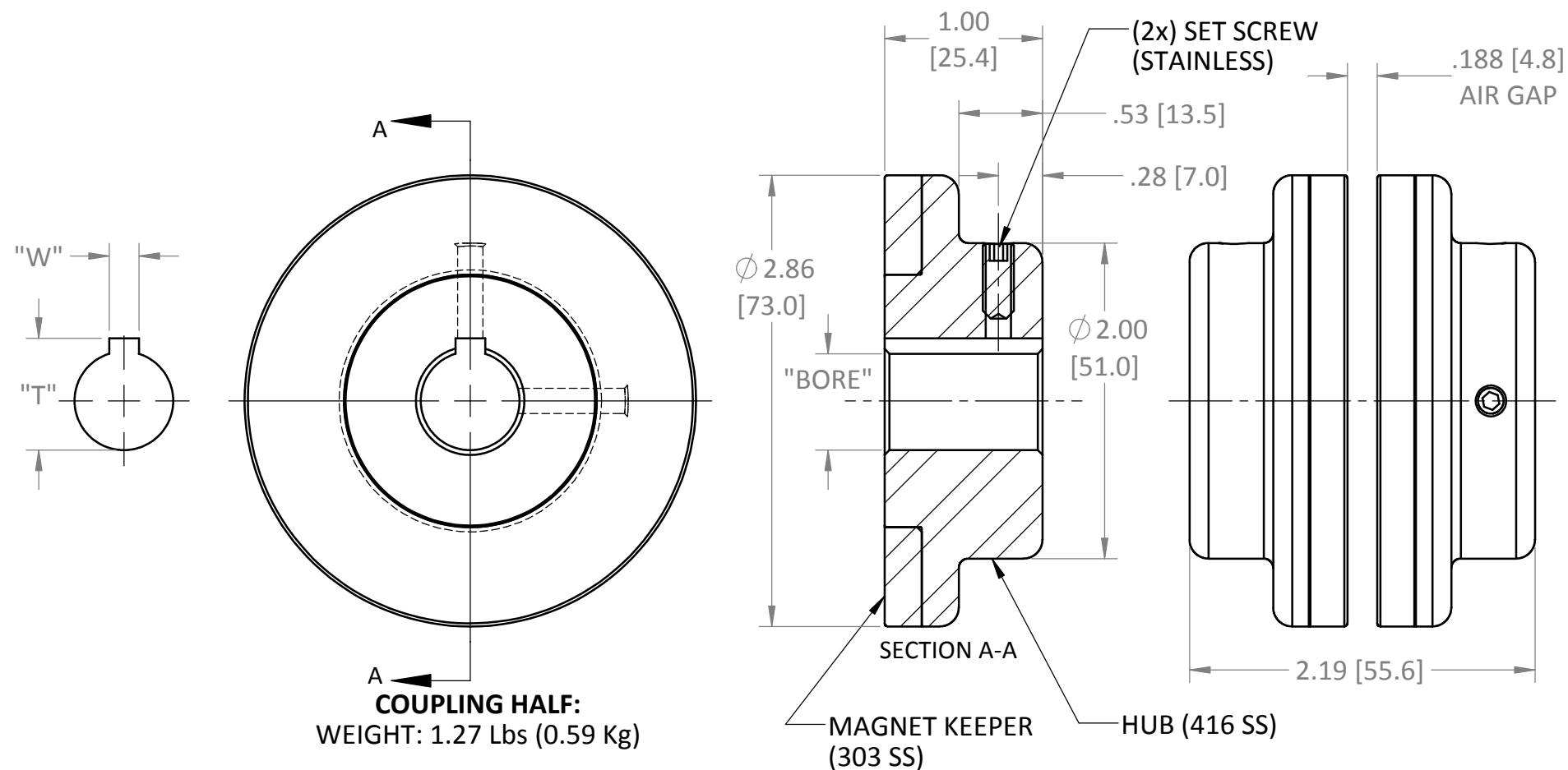


MODEL	RATED TORQUE @ STD. AIR GAP		BREAKAWAY TORQUE		MAX RPM
MTD-2	1.7 Nm	15 Lb-in	2.3 Nm	20 Lb-in	15,500

REVISIONS			
REV.	ECN.	DESCRIPTION	DATE



MODEL	BORE		W		T		SET SCREW (2x)
	mm ^{H8}	in ^{+0.001}	mm ^{+0.05}	in ^{+0.002}	mm ^{+0.25}	in ^{+0.010}	CUP POINT
MTD-2-0000	SOLID		-		-		-
MTD-2-0433	11.00	.433	4.000	.1574	12.80	.504	M5-0.8 X 12mm
MTD-2-0472	12.00	.472	4.000	.1574	13.80	.543	M5-0.8 X 12mm
MTD-2-0500	12.70	.500	3.175	.1250	14.22	.560	#10-32 X 1/2
MTD-2-0551	14.00	.551	5.000	.1969	16.30	.642	M5-0.8 X 12mm
MTD-2-0625	15.88	.625	4.763	.1875	18.01	.709	#10-32 X 1/2
MTD-2-0709	18.00	.709	6.00	.2362	20.80	.819	M5-0.8 X 12mm
MTD-2-0748	19.00	.748	6.000	.2362	21.80	.858	M5-0.8 X 12mm
MTD-2-0750	19.05	.750	4.763	.1875	21.26	.837	#10-32 X 1/2
MTD-2-0875	22.23	.875	4.763	.1875	24.49	.964	#10-32 X 1/2
MTD-2-01000	25.40	1.000	6.350	.2500	28.30	1.114	1/4-20 X 1/2

OTHER SIZES AVAILABLE; SPECIFY BOTH BORE AND KEYWAY

THIS DRAWING IS THE PROPERTY OF MAGNETIC TECHNOLOGIES LTD. AND IS SUPPLIED ON THE EXPRESS CONDITION THAT IT SHALL NOT BE LENT, COPIED, REPRODUCED NO DISCLOSED TO ANY OTHER PERSON, IN WHOLE OR IN PART WITHOUT THE WRITTEN CONSENT OF MAGNETIC TECHNOLOGIES LTD.

USED ON MTD-2	SCALE 1:1	MATERIAL SEE PRT DWG	
UNLESS OTHERWISE SPECIFIED:		FINISH SEE PRT DWG	
ALL DIMENSIONS ARE IN INCHES TOLERANCES: DECIMAL: .XX ± .01 .XXX ± .005 ANGULAR: ± 1° GEN. CONCENTRICITY: .001 T.I.R. MACH. FILLETS: .010 R MACH. EDGES: .015 R OR CHMF. UNSPECIFIED RADII: .015 R IN MICROINCHES RMS 32 GEOMETRIC: TO MIL-ST'D. 8 REMOVE ALL BURRS & SHARP EDGES		DRAWN AMD 6/6/14	43 TOWN FOREST ROAD OXFORD, MA 01540
		CHECKED	DESCRIPTION MTD-2 Cut Sheet
		SIZE: B	DWG. NO. _____ REV. _____
			MTD-2-XXX