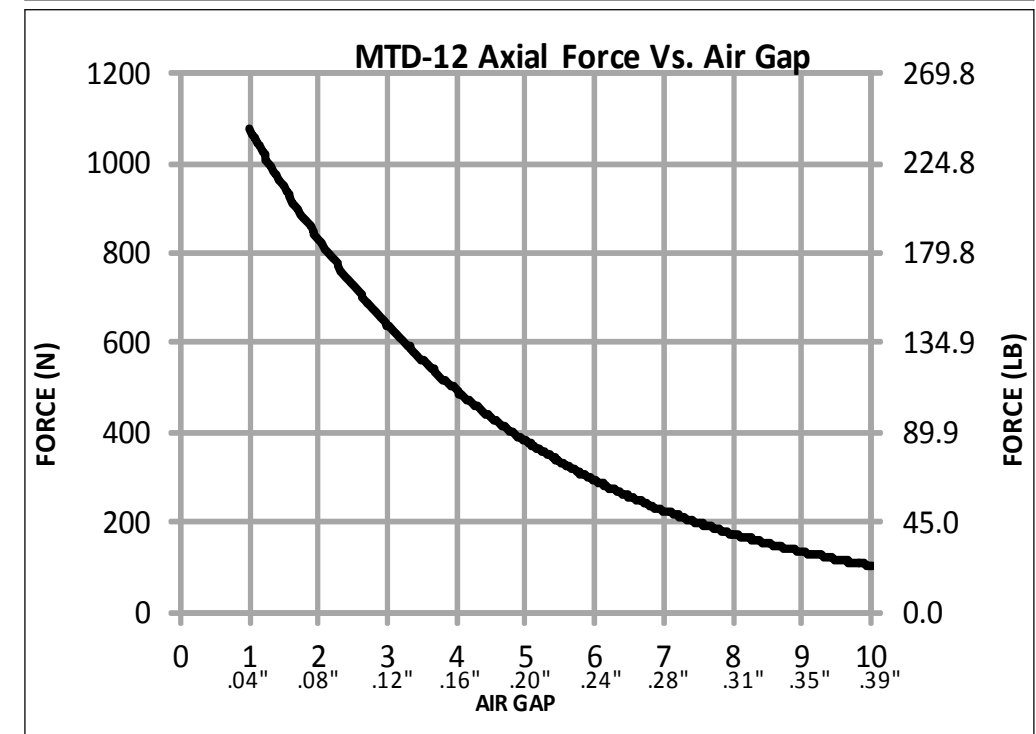
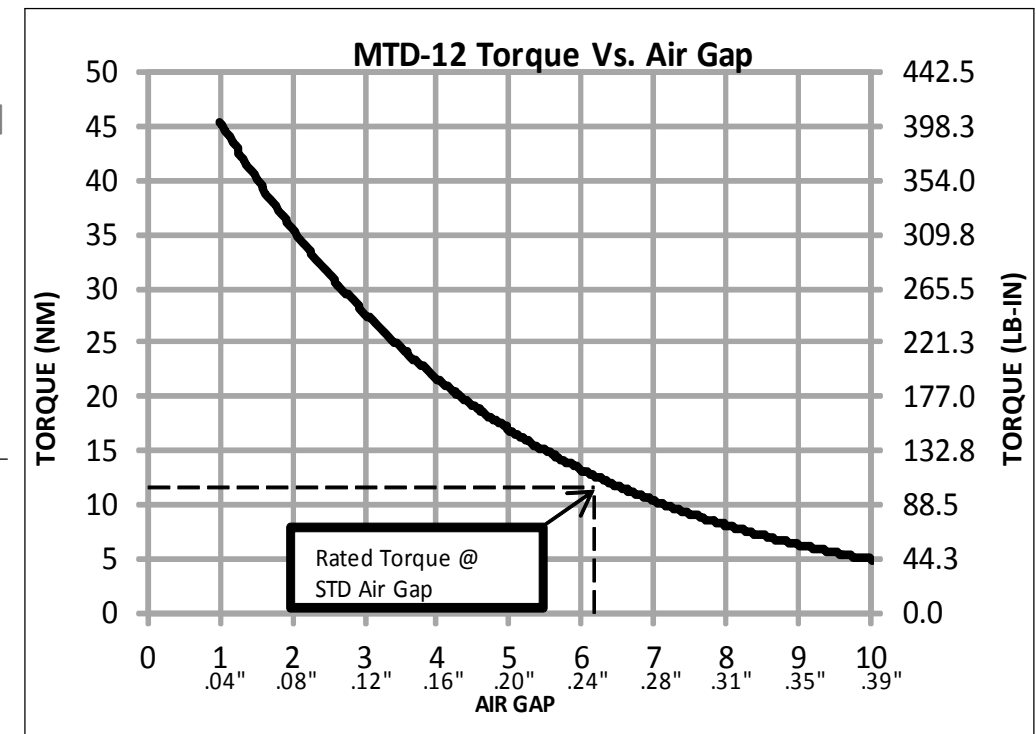
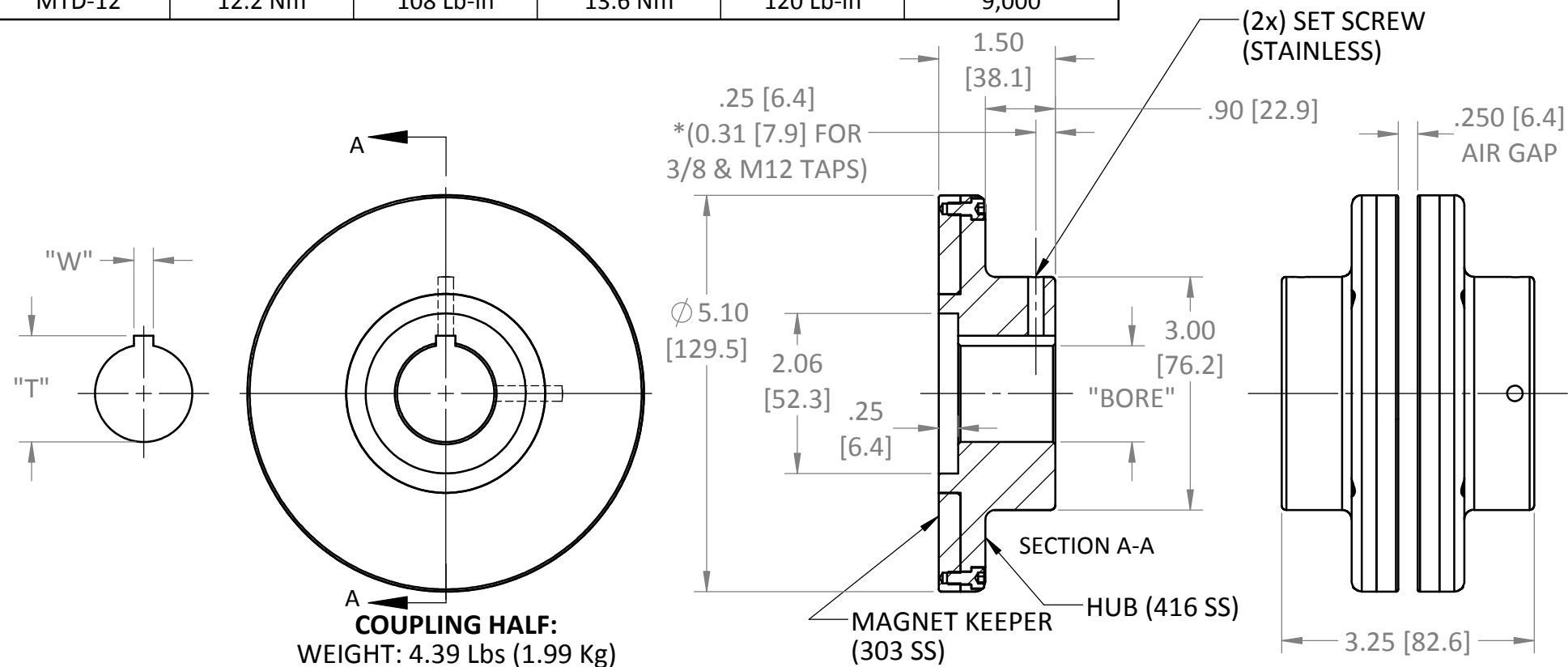


MODEL	RATED TORQUE @ STD. AIR GAP		BREAKAWAY TORQUE		MAX RPM
MTD-12	12.2 Nm	108 Lb-in	13.6 Nm	120 Lb-in	9,000

REVISIONS			
REV.	ECN.	DESCRIPTION	DATE



MODEL	BORE		W		T		SET SCREW (2x) CUP POINT
	mm ^{H8}	in ^{+.001}	mm ^{+.05}	in ^{+.002}	mm ^{+.25}	in ^{+.010}	
* MTD-12-0000	SOLID		-		-		-
MTD-12-0551	14.00	.551	5.00	.1969	16.30	.642	M5-0.8 x 20mm
MTD-12-0625	15.88	.625	4.76	.1875	18.00	.709	#10-32 x 3/4
MTD-12-0709	18.00	.709	6.00	.2362	20.80	.819	M5-0.8 x 20mm
MTD-12-0748	19.00	.748	6.00	.2362	21.80	.858	M5-0.8 x 20mm
MTD-12-0750	19.05	.750	4.76	.1875	21.26	.837	#10-32 x 3/4
MTD-12-0787	20.00	.7874	6.00	.2362	22.80	.898	M5-0.8 x 20mm
MTD-12-0875	22.23	.875	4.76	.1875	24.49	.964	#10-32 x 3/4
MTD-12-0945	24.00	.945	8.00	.3150	27.30	1.075	M8-1.25 x 20mm
MTD-12-01000	25.4	1.000	6.35	.250	28.30	1.114	1/4-20 x 5/8
MTD-12-01102	28.00	1.102	8.00	.3150	31.30	1.232	M8-1.25 x 20mm
MTD-12-01125	28.58	1.125	6.35	.250	31.52	1.241	1/4-20 x 5/8
MTD-12-01250	31.75	1.250	6.35	.250	34.72	1.367	1/4-20 x 5/8
MTD-12-01375	34.93	1.375	7.94	.3125	38.56	1.518	5/16-18 x 1/2
MTD-12-01500	38.1	1.500	9.53	.375	42.39	1.669	3/8-16 x 1/2*
MTD-12-01625	41.28	1.625	9.53	.375	45.62	1.796	3/8-16 x 1/2*
MTD-12-01654	42.00	1.654	12.00	.472	45.30	1.783	M12-1.75 x 12mm*

OTHER SIZES AVAILABLE; SPECIFY BOTH BORE AND KEYWAY
*** ONLY MTD-12-0000 FROM STOCK**

THIS DRAWING IS THE PROPERTY OF MAGNETIC TECHNOLOGIES LTD. AND IS SUPPLIED ON THE EXPRESS CONDITION THAT IT SHALL NOT BE LENT, COPIED, REPRODUCED NO DISCLOSED TO ANY OTHER PERSON, IN WHOLE OR IN PART WITHOUT THE WRITTEN CONSENT OF MAGNETIC TECHNOLOGIES LTD.

USED ON MTD-12	SCALE 1:2	MATERIAL SEE PRT DWG	
UNLESS OTHERWISE SPECIFIED:		FINISH SEE PRT DWG	
ALL DIMENSIONS ARE IN INCHES TOLERANCES: DECIMAL: .XX ± .01 .XXX ± .005 ANGULAR: ± 1° GEN. CONCENTRICITY: .001 T.I.R. MACH. FILLETS: .010 R MACH. EDGES: .015 R OR CHMF. UNSPECIFIED RADII: .015 R IN MICROINCHES RMS 32 GEOMETRIC: TO MIL-ST'D. 8 REMOVE ALL BURRS & SHARP EDGES			43 TOWN FOREST ROAD OXFORD, MA 01540 DESCRIPTION MTD-12 Cut Sheet DWG. NO. _____ REV. _____ MTD-12-XXX
DRAWN AMD 11/11/14		CHECKED	SIZE: B