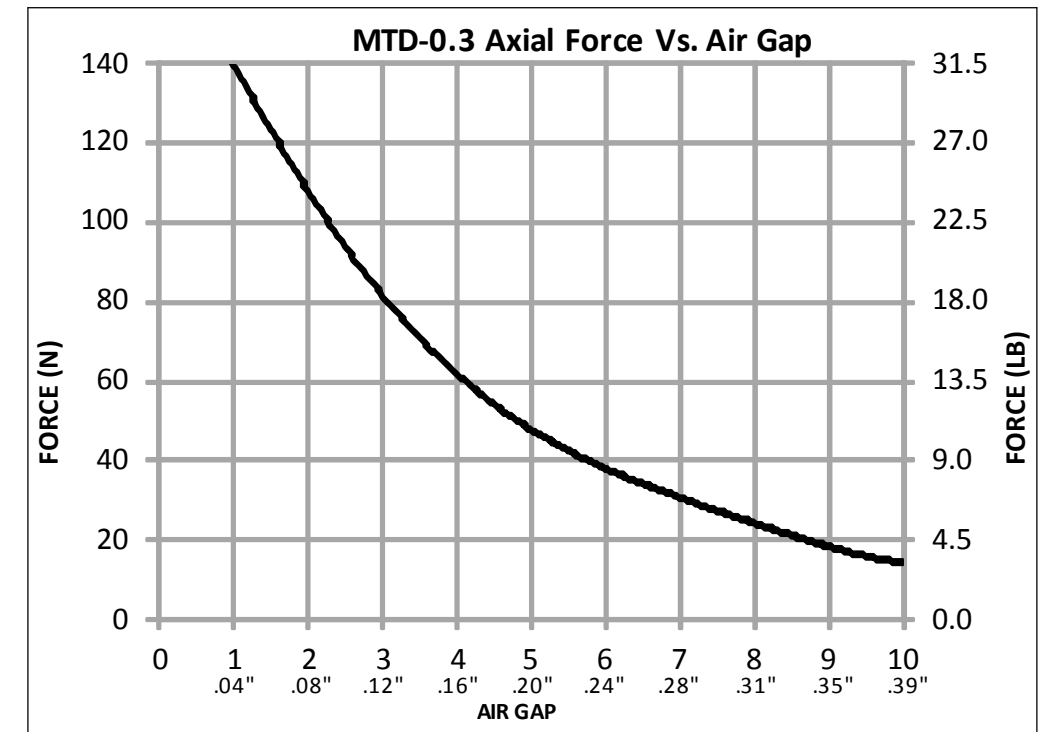
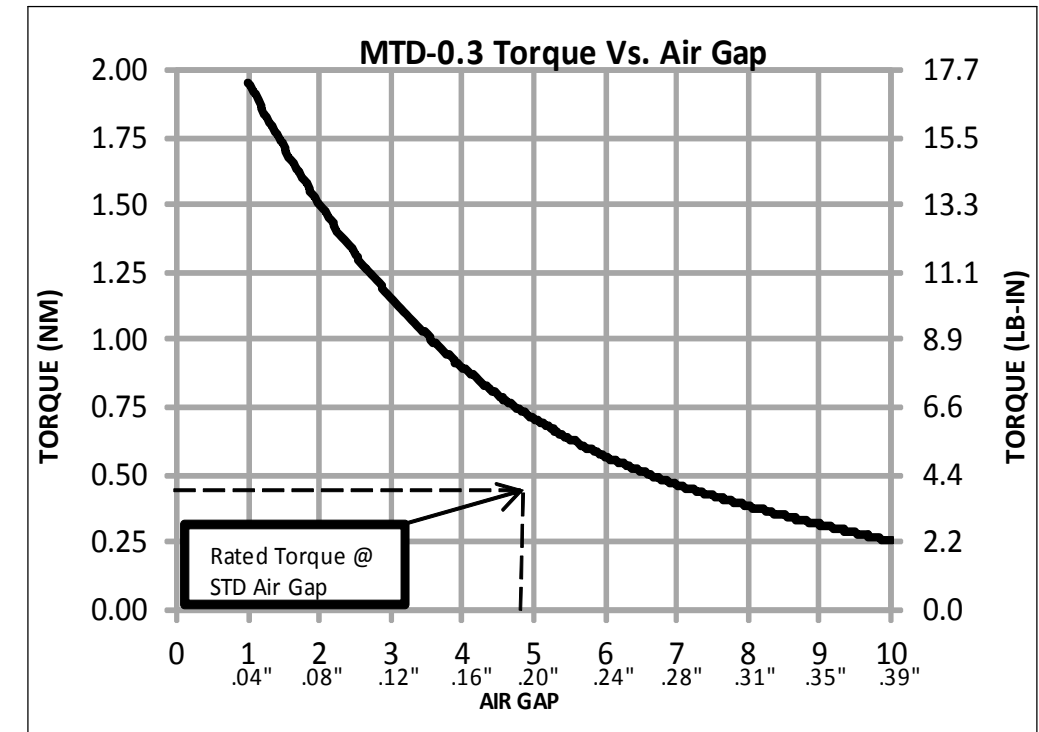
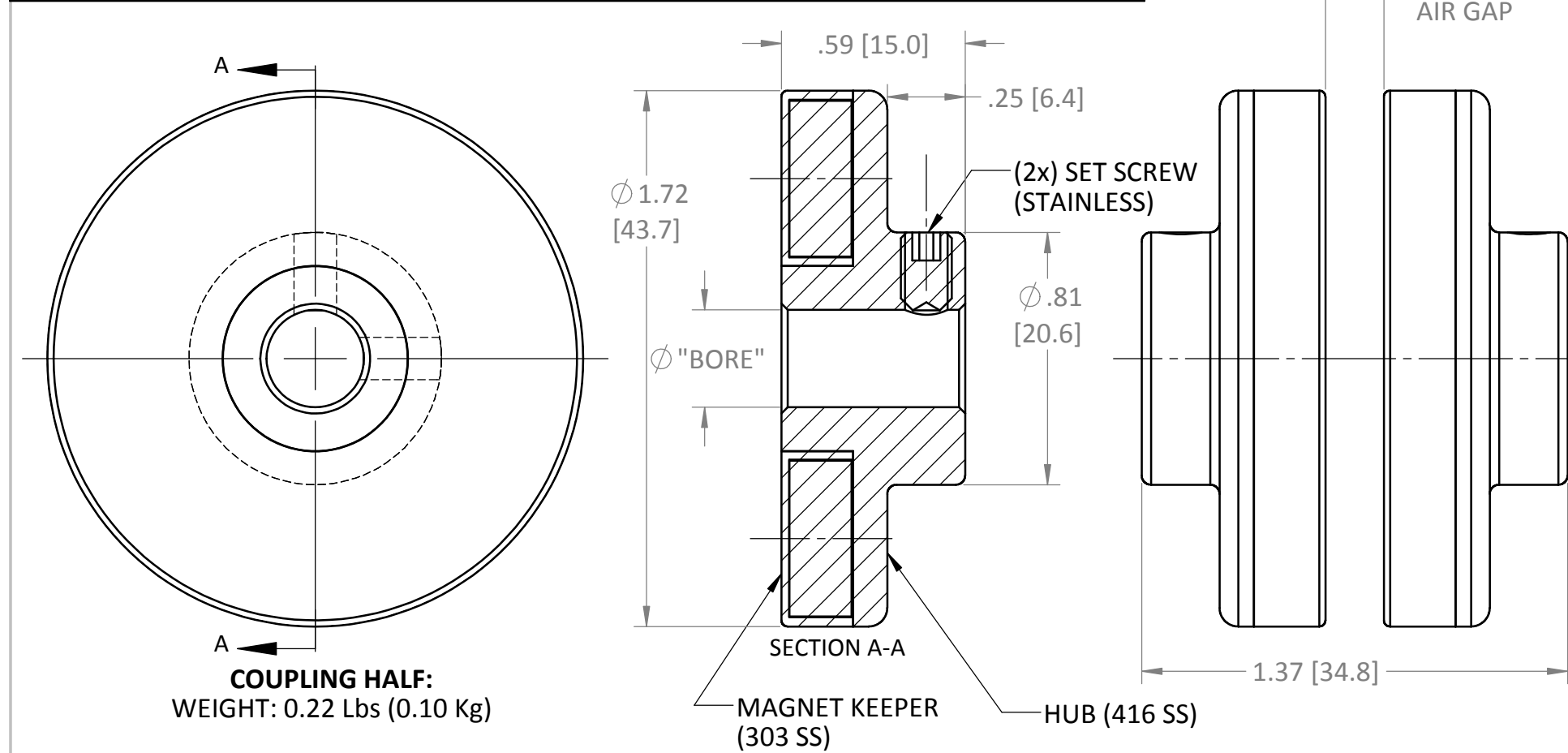


MODEL	RATED TORQUE @ STD. AIR GAP	BREAKAWAY TORQUE	MAX RPM
MTD-0.3	0.45 Nm	4 Lb-in	26000

REVISIONS			
REV.	ECN.	DESCRIPTION	DATE



MODEL	BORE		SET SCREW (2x)
	mm ^{H8}	in ^{+0.001}	CUP POINT
MTD-0.3-0000	SOLID		-
MTD-0.3-0188	4.76	.1875	#8-32 X 1/4
MTD-0.3-0197	5.00	.197	M4-0.7 x 6mm
MTD-0.3-0236	6.00	.236	M4-0.7 x 6mm
MTD-0.3-0250	6.35	.250	#8-32 X 1/4
MTD-0.3-0313	7.94	.3125	#8-32 X 1/4
MTD-0.3-0315	8.00	.315	M4-0.7 x 6mm
MTD-0.3-0375	9.53	.375	#8-32 X 1/4
MTD-0.3-0394	10.00	.394	M4-0.7 x 6mm

OTHER SIZES AVAILABLE; SPECIFY BORE

USED ON MTD-0.3	SCALE 2:1	MATERIAL SEE PRT DWG	
UNLESS OTHERWISE SPECIFIED:			
ALL DIMENSIONS ARE IN INCHES TOLERANCES: DECIMAL: .XX ± .01 .XXX ± .005 ANGULAR: ± 1° GEN. CONCENTRICITY: .001 T.I.R. MACH. FILLETS: .010 R MACH. EDGES: .015 R OR CHMF. UNSPECIFIED RADII: .015 R IN MICROINCHES RMS 32 GEOMETRIC: TO MIL-ST'D. 8 REMOVE ALL BURRS & SHARP EDGES			43 TOWN FOREST ROAD OXFORD, MA 01540 DESCRIPTION MTD-0.3 Cut Sheet
DRAWN AMD 10/17/14		CHECKED	DWG. NO.
SIZE: B			REV.
			MTD-0.3-XXX