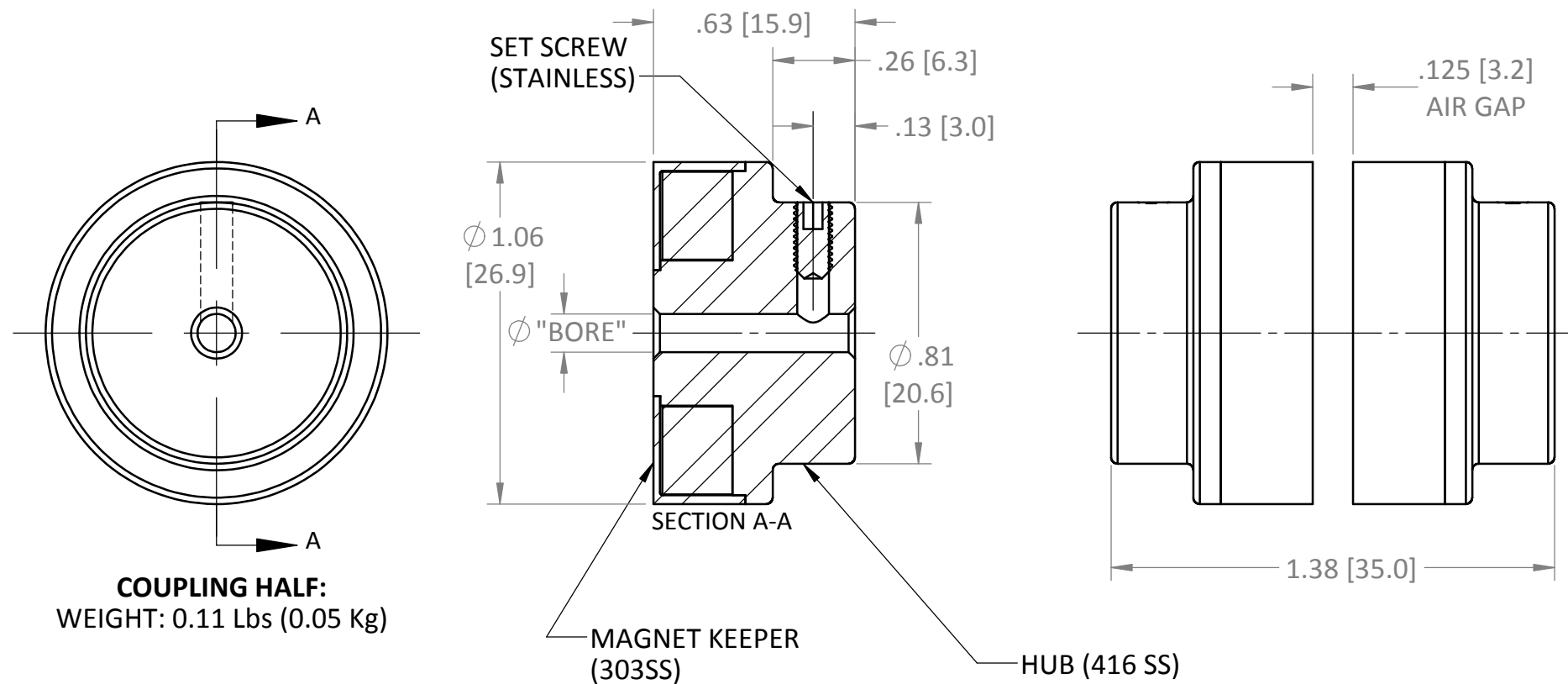
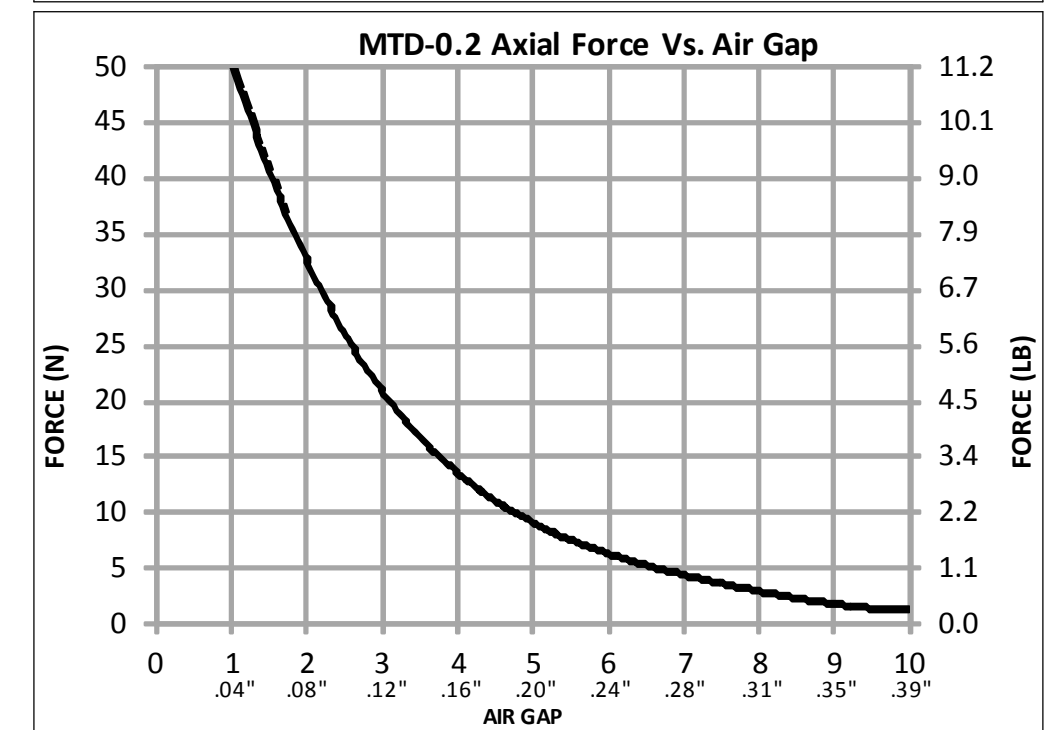
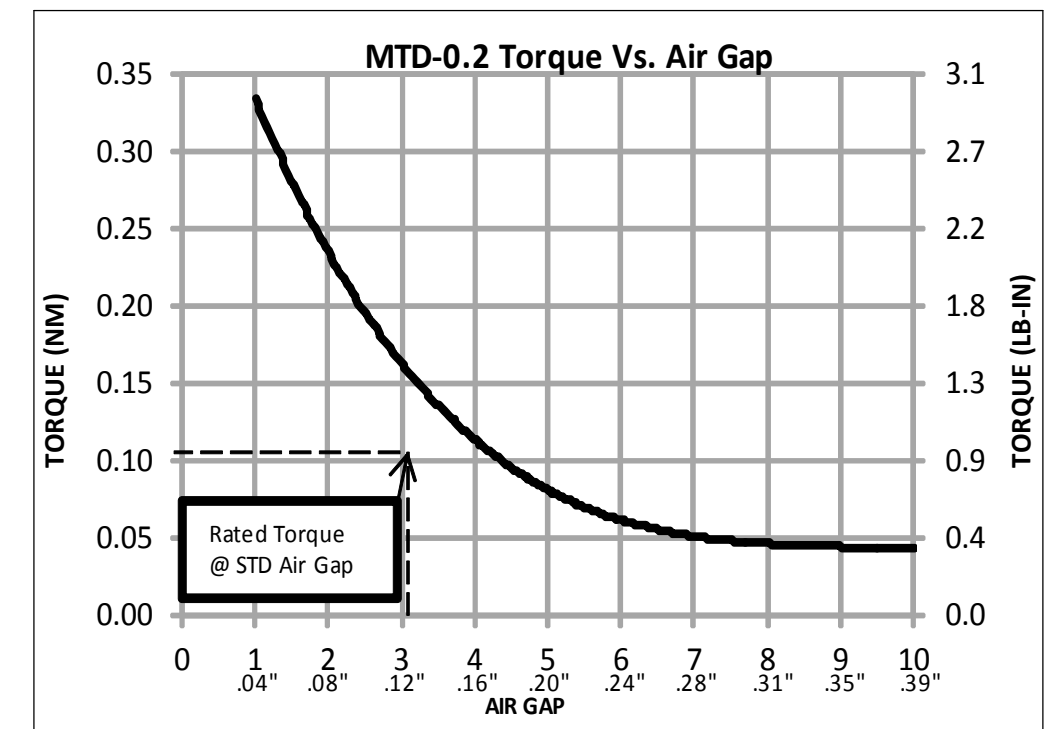


MODEL	RATED TORQUE @ STD. AIR GAP	BREAKAWAY TORQUE	MAX RPM
MTD-0.2	.11 Nm	1 Lb-in	42,500

REVISIONS			
REV.	ECN.	DESCRIPTION	DATE



**COUPLING HALF:**  
WEIGHT: 0.11 Lbs (0.05 Kg)



MODEL	BORE		SET SCREW
	mm <sup>H8</sup>	in <sup>+0.001</sup>	CUP POINT
MTD-0.2-0000	SOLID		-
MTD-0.2-0125	3.18	.125	#4-40 X 1/4
MTD-0.2-0188	4.76	.1875	#8-32 X 1/4
MTD-0.2-0197	5.00	.197	M4-0.7 x 6mm
MTD-0.2-0236	6.00	.236	M4-0.7 x 6mm
MTD-0.2-0250	6.35	.250	#8-32 X 1/4
MTD-0.2-0313	7.94	.3125	#8-32 X 1/4
MTD-0.2-0315	8.00	.315	M4-0.7 x 6mm

OTHER SIZES AVAILABLE; SPECIFY BORE

USED ON MTD-0.2	SCALE 2:1	MATERIAL SEE PRT DWG	
UNLESS OTHERWISE SPECIFIED:			
ALL DIMENSIONS ARE IN INCHES TOLERANCES: DECIMAL: .XX ± .01 .XXX ± .005 ANGULAR: ± 1° GEN. CONCENTRICITY: .001 T.I.R. MACH. FILLETS: .010 R MACH. EDGES: .015 R OR CHMF. UNSPECIFIED RADII: .015 R IN MICROINCHES RMS 32 GEOMETRIC: TO MIL-ST'D. 8 REMOVE ALL BURRS & SHARP EDGES			43 TOWN FOREST ROAD OXFORD, MA 01540 DESCRIPTION <b>MTD-0.2 Cut Sheet</b>
DRAWN AMD 10/17/14		FINISH SEE PRT DWG	DWG. NO.
CHECKED		SIZE: B	REV.
			<b>MTD-0.2-XXX</b>