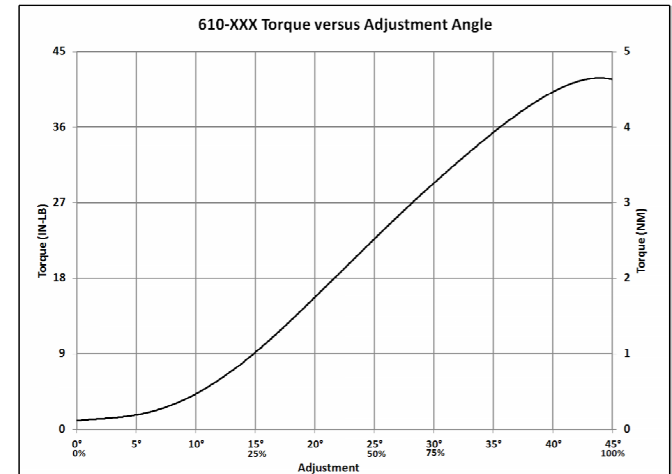
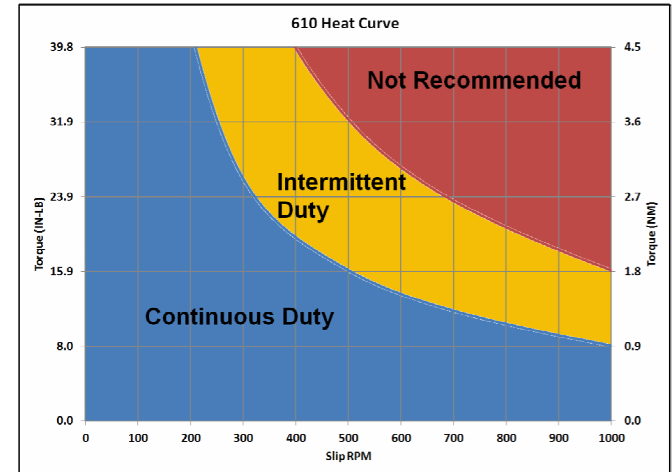
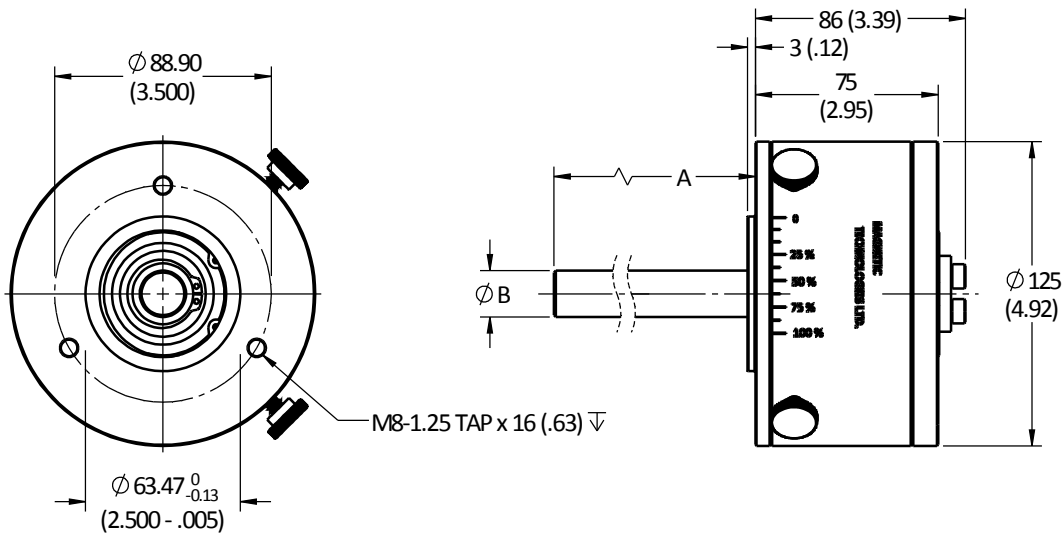


MODEL	TORQUE		BENDING MOMENT		HEAT DISSIPATION
	.14 - 4.5 Nm	1.2 - 40 in. lb	17 Nm	150 in. lbs	95 Watts

REVISIONS			
REV.	ECN.	DESCRIPTION	DATE



MODEL	A DIMENSION		B DIMENSION		Inertia		Weight	
	mm	in	mm <sup>-03</sup>	in <sup>-001</sup>	kgm <sup>2</sup>	in oz s <sup>2</sup>	kg	lb
610-014	88.9	3.5	19.05	.750	39.0e-5	55.0e-3	4.60	10.2
610-095	242.0	9.5	22.00	.866	40.0e-5	57.0e-3	5.12	11.3
610-011	152.4	6.0	25.00	.984	40.0e-5	57.0e-3	5.00	11.0
610-024	254.0	10.0	25.00	.984	44.0e-5	62.0e-3	5.40	11.9
610-055	304.8	12.0	25.40	1.00	46.0e-5	65.0e-3	5.62	12.4

OTHER SIZES AVAILABLE; SPECIFY BOTH "A" AND "B"

THIS DRAWING IS THE PROPERTY OF MAGNETIC TECHNOLOGIES LTD. AND IS SUPPLIED ON THE EXPRESS CONDITION THAT IT SHALL NOT BE LENT, COPIED, REPRODUCED NO DISCLOSED TO ANY OTHER PERSON, IN WHOLE OR IN PART WITHOUT THE WRITTEN CONSENT OF MAGNETIC TECHNOLOGIES LTD.

USED ON 610	SCALE 1:2	MATERIAL SEE PRT DWG	 43 TOWN FOREST ROAD OXFORD, MA 01540
UNLESS OTHERWISE SPECIFIED: ALL DIMENSIONS ARE IN INCHES TOLERANCES: DECIMAL: .XX ± .01 .XXX ± .005 ANGULAR: ± 1° GEN. CONCENTRICITY: .001 T.I.R. MACH. FILLETS: .010 R MACH. EDGES: .015 R OR CHVF. UNSPECIFIED RADII: .015 R IN MICRONS RIN/S 32 GEOMETRIC: TO MIL-STD. 8 REMOVE ALL BURRS & SHARP EDGES		FINISH SEE PRT DWG	
DRAWN AMD 4/3/13		DESCRIPTION <b>610-XXX Cut Sheet</b>	
CHECKED		DWG. NO. <b>610-XXX</b>	REV.
SIZE: B			