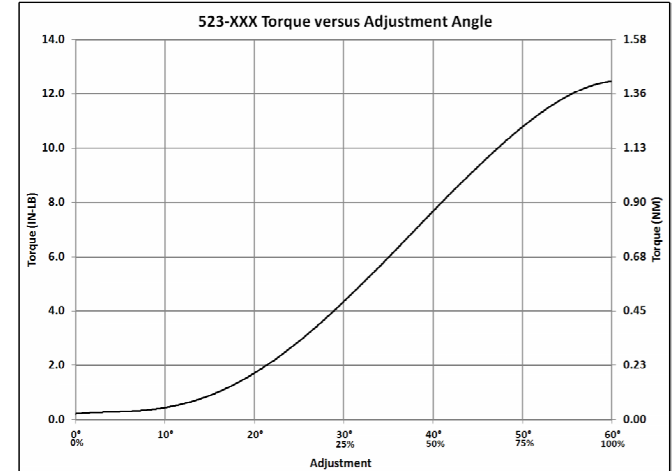
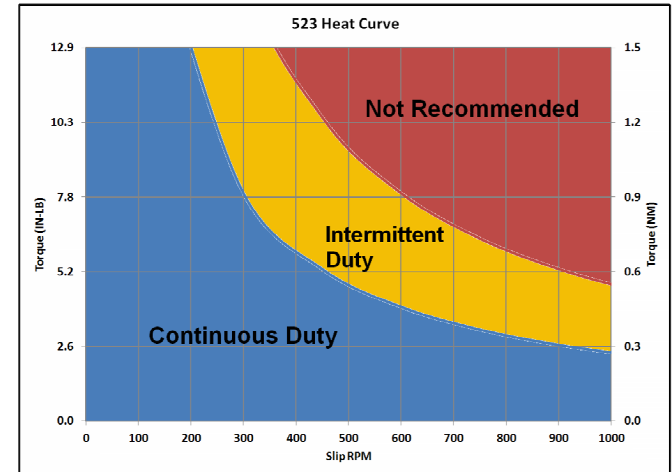
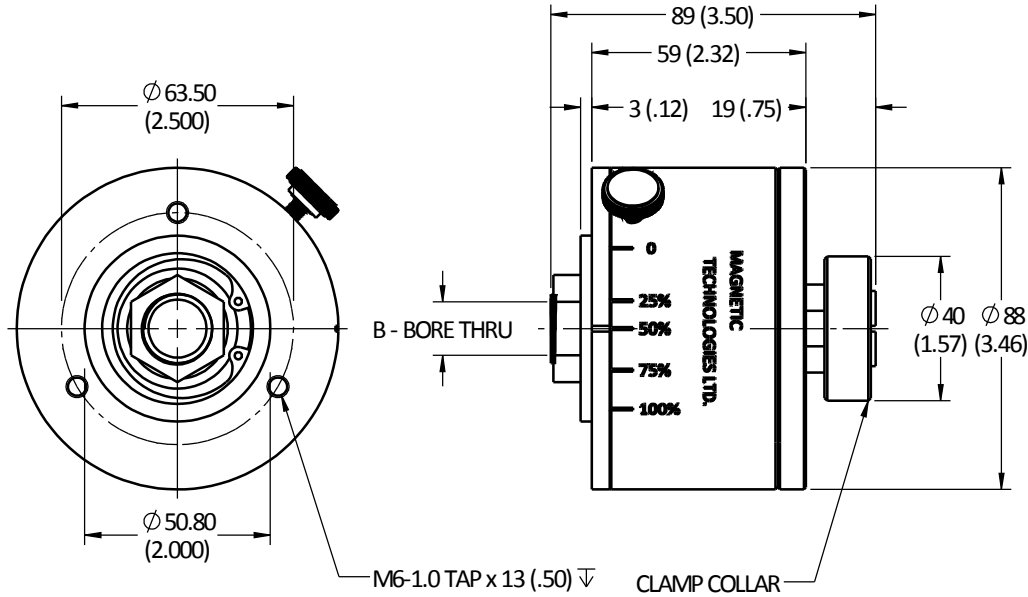


MODEL	TORQUE		BENDING MOMENT		HEAT DISSIPATION
	.03 - 1.36 Nm	.3 - 12 in. lb	9 Nm	80 in. lbs	28 Watts

REVISIONS			
REV.	ECN.	DESCRIPTION	DATE



MODEL	B DIMENSION		Inertia		Weight	
	mm <sup>+03</sup>	in <sup>+001</sup>	kgm <sup>2</sup>	in oz s <sup>2</sup>	kg	lb
523-0201	12.7	.500	7.8E-5	11.00E-3	1.86	4.1
523-0206	15.8	.625	7.8E-5	11.00E-3	1.86	4.1
523-0208	16.0	.630	7.8E-5	11.00E-3	1.86	4.1

OTHER SIZES AVAILABLE; SPECIFY "B"

THIS DRAWING IS THE PROPERTY OF MAGNETIC TECHNOLOGIES LTD. AND IS SUPPLIED ON THE EXPRESS CONDITION THAT IT SHALL NOT BE LENT, COPIED, REPRODUCED NO DISCLOSED TO ANY OTHER PERSON, IN WHOLE OR IN PART WITHOUT THE WRITTEN CONSENT OF MAGNETIC TECHNOLOGIES LTD.

USED ON 523 - Hollow	SCALE 3:4	MATERIAL SEE PRT DWG	 43 TOWN FOREST ROAD OXFORD, MA 01540
UNLESS OTHERWISE SPECIFIED:		FINISH SEE PRT DWG	
<small>ALL DIMENSIONS ARE IN INCHES TOLERANCES: DECIMAL: .XX ± .01 .XXX ± .005 ANGULAR: ± 1° GEN. CONCENTRICITY: .001 T.I.R. MACH. FILLETS: .010 R MACH. EDGES: .015 R OR CHVF. UNSPECIFIED RADII: .015 R IN MICRONS R/S 32 GEOMETRIC: TO MIL-STD. 8 REMOVE ALL BURRS &amp; SHARP EDGES</small>			DRAWN AMD 4/3/13 CHECKED
SIZE: B		DESCRIPTION <b>523-XXX-Hollow Cut Sheet</b> DWG. NO. <b>523-XXX - Hollow</b>	REV.